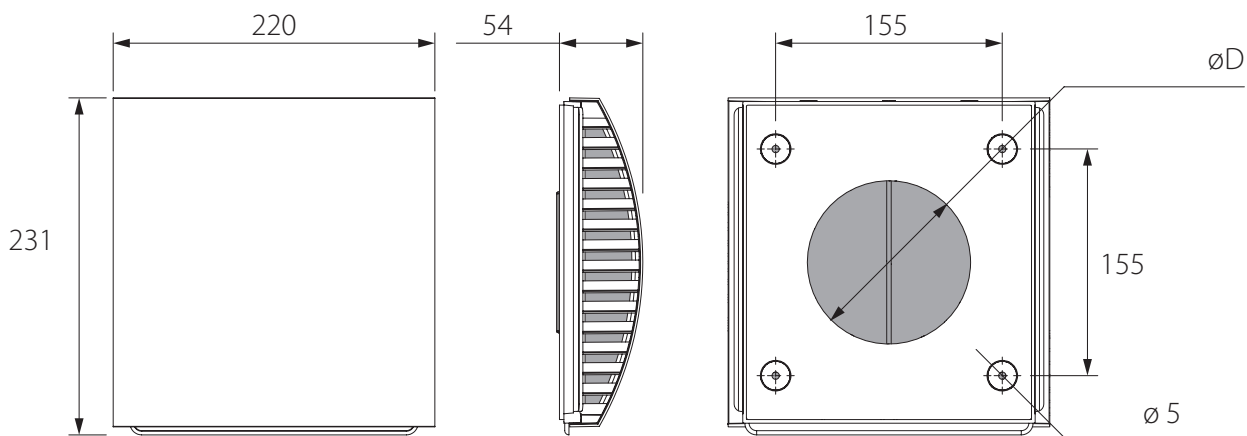




## PRODUCT DESCRIPTION

- Outer hood for 160 mm pipe diameter
- made of polystyrene with powder-coated white cover made of ALU
- Outer hood suitable for the RV30 series, which has a air flow separator features
- the outer ventilation hood is designed to prevent ingress of water and foreign objects into the ventilation equipment from outside

## DIMENSIONS (MM)



Models	D
AH160POLWHITERV30	164 mm

## ASSEMBLY OF THE OUTER HOOD

<p>1. Insert the air duct from indoor to protrude from outside on the outer wall surface.</p> <p>Cut the air duct excess with a hack saw or with any other suitable tool. If the air duct has a sound-insulating layer inside, remove it before cutting the air duct. Cut the sound-insulating layer to be flush with the air duct.</p> <p><b>Warning!</b> If the mounting place is located at high altitude please refer to a mounting company possessing an appropriate mounting equipment!</p>	
<p>2. Mark the fastening holes for the outer ventilation hood and drill 4 holes, 50 mm deep to suit the expansion anchors. Use the back wall of the ventilation hood to facilitate the marking.</p>	
<p>3. Insert the supplied expansion anchors 6x40 into the holes. Disassemble the outer ventilation hood to ensure access to the fastening holes. Remove the ventilation hood front part.</p>	
<p>4. Fix the back wall of the ventilation hood on the wall using the supplied screws 4x40.</p>	
<p>5. Cover the ventilation hood with the front part.</p>	

### AVAILABLE MODELS

Outer hood for SIKU RV30C, RV30W

### ITEM NUMBER

(Item no. 50619)

### PACKAGING UNIT

4 Pcs